

Advanced Technology *kept simple*

Designed and Manufactured in the UK



merlin
multi-fuel stoves



The merlin range

Unique stoves that *simply* offer you more

Our Merlin range of stoves has been carefully built and crafted to perfection. They have been created to meet the ever increasing market demand for high efficiency and exceptionally environment friendly stoves as an alternative heat source for the home.



Merlin Widescreen
with moulded log box

Design & Concept

The stoves' clear cut British design is aesthetically pleasing and has been created to give a welcoming visual experience by offering an ultra clear view of the fire at all times. Defying contemporary or traditional labels, these unique stoves become a natural focal point in any setting. Merlin Stoves have simple and uncomplicated lines, yet they are attractive in every fashion sense.



Construction & Performance

The revolutionary (patent pending) triple chamber construction and low draught starting make the Merlin range unique on the market when it comes to performance, efficiency and low emissions. Appearing elegant on the outside, they are extremely robust and powerful on the inside. Built with the latest technology, these easily controllable stoves run without the need for additional fussy components and expensive accessories whilst coping effortlessly with all weather conditions.



Merlin Standard
with moulded feet

Unique RAM Air System

Rapid Air Movement can be achieved in seconds, enabling the instant lighting of the stove. Unlike some, these stoves do not need to be pampered. The firebox can be transformed into a spectacular unobstructed living flame in seconds. The unique characteristics allow clean combustion and clean flames to bring warmth into the room in minutes. Intelligent heating to say the least.



Stay Cool hearth -
Additional safety feature.

merlin

WIDESCREEN



The Merlin Widescreen will create the right impression in any home. With its huge glass window, it not only offers everything in looks, it also works without the need to pamper. The super large fire box takes 24 inch logs with minimal fuss, allowing you to relax for hours and enjoy the view. Controlling this stove is simply effortless.


Forestry Commission
Merlin Stoves
is an approved supplier to
the Forestry Commission


British Designed
and Manufactured

Merlin Stoves are different in every sense, not only in performance and efficiency but also in stylish good looks.

Contemporary or traditional, Merlin Stoves are noticeably different. There is one single door to clearly see more. It is a dust free clean design, without fussy details.

All our stoves are built with Merlin's patent pending **Rapid Air Movement** technology. Unlike other stoves, heat is delivered to the room in seconds after

lighting. Straightforward controls mean regulating and maintaining the desired temperature is simple.

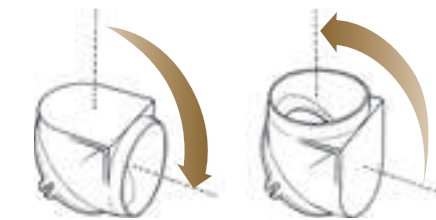
The stove's twin-skinned insulated jacket ensures heat is accumulated and maintained within the stove body for hours after shutdown.

The Merlin range of multifuel stoves is revolutionary in all respects, and brings a whole new way of thinking when it comes down to natural conventional heating!

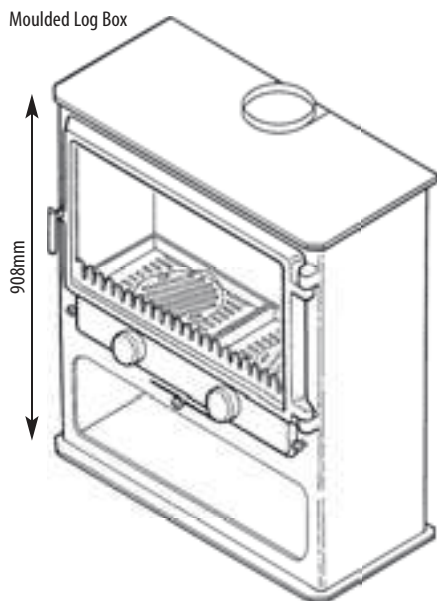
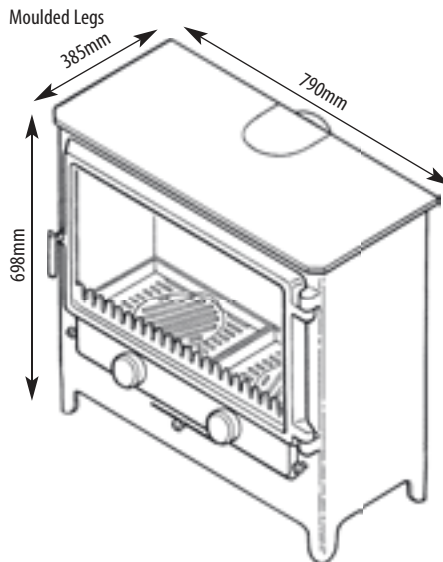
Advanced Technology *kept simple*

widescreen

merlin WIDESCREEEN



SWIVEL FLUE- One piece component (150mm diameter)



Specifications

Model

Widescreen

Width

790mm

Height

698mm (with moulded legs)

908mm (with moulded log box)

Depth

385mm

Flue Spigot

150mm diameter, top or rear exit

Heat Output

Up to 16kW (12.5kW nominal tested)

Merlin Stoves Ltd, Foregates, Holmer,
Hereford HR4 9RJ, England

T: 01432 360016 F: 01432 360016

E: sales@merlinstoves.co.uk

W: www.merlinstoves.co.uk

Distributed by Fire Product Distribution

T: 0845 226 0576 F: 0845 519 9358

E: sales@fireproductdistribution.com

Merlin Stoves Ltd has a policy of continuous product improvement and reserves the right to change design and specifications without notice.

Your Merlin Stove Dealer:

Features

- Multifuel capability – Burns both coal and wood.
- Clean cut British design – No dust traps.
- Optimum performance, up to 80% efficiency – Environmentally friendly.
- Patented (p) airflow system, ultra clean combustion and clear glass – Unique design.
- Large firebox capacity – Extended burn time capability.
- Fast effective high/low temperature control – User friendly.
- One piece swivel flue component for top or rear exit – Installer friendly.
- Dual chamber construction – Retains the heat for longer.
- Large durable stainless steel ash pan – Less cleaning, longer lasting.
- Fully adjustable legs or log box – Installer friendly.
- Merlin stoves are Approved Stoves and can be installed on a 12mm superimposed hearth – Installer friendly.
- Baffle plate can be removed without disturbing the firebricks – chimney sweep friendly.
- Main body carries a full lifetime guarantee. All other parts are replaceable or fully serviceable.

Upon request

- Boilers for hot water and central heating.
- Wide selection of colours including *Honey-Glo Brown*, *Shimmering Rose* and *Almond*.
- Door handle and knobs available to match body colour or in *Chrome* or *Brass*.
- Log Box.
- Additional options and accessories on request.

merlin

CLASSIC



The Merlin Classic takes centre stage in the range with uncompromised engineering and tailored design. This stove surpasses everything, meeting every expectation and desire in a high performance stove. With all the unique Merlin trademarks, this stove is built for life.

classic


Forestry Commission
Merlin Stoves
is an approved supplier to
the Forestry Commission


British Designed
and Manufactured

Merlin Stoves are different in every sense, not only in performance and efficiency but also in stylish good looks.

Contemporary or traditional, Merlin Stoves are noticeably different. There is one single door to clearly see more. It is a dust free clean design, without fussy details.

All our stoves are built with Merlin's patent pending **Rapid Air Movement** technology. Unlike other stoves, heat is delivered to the room in seconds after

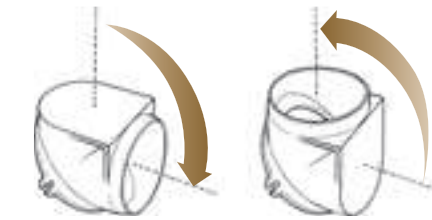
lighting. Straightforward controls mean regulating and maintaining the desired temperature is simple.

The stove's twin-skinned insulated jacket ensures heat is accumulated and maintained within the stove body for hours after shutdown.

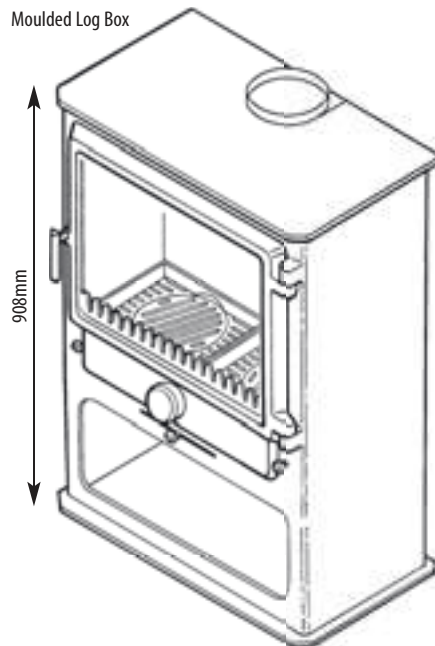
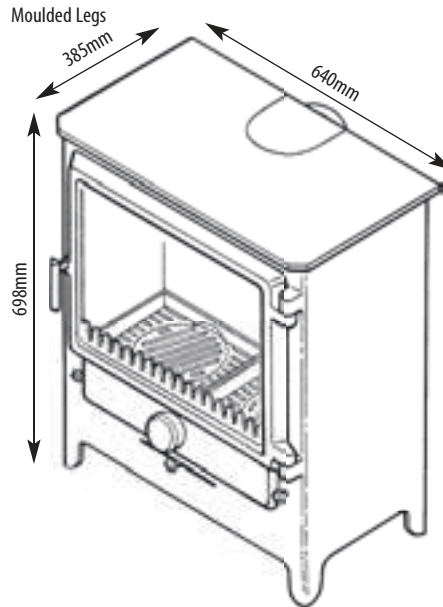
The Merlin range of multifuel stoves is revolutionary in all respects, and brings a whole new way of thinking when it comes down to natural conventional heating!

Advanced Technology *kept simple*

merlin CLASSIC



SWIVEL FLUE- One piece component (150mm diameter)



Merlin Stoves Ltd has a policy of continuous product improvement and reserves the right to change design and specifications without notice.

Features

- Multifuel capability – Burns both coal and wood.
- Clean cut British design – No dust traps.
- Optimum performance, up to 80% efficiency – Environmentally friendly.
- Patented (p) airflow system, ultra clean combustion and clear glass – Unique design.
- Large firebox capacity – Extended burn time capability.
- Fast effective high/low temperature control – User friendly.
- One piece swivel flue component for top or rear exit – Installer friendly.
- Dual chamber construction – Retains the heat for longer.
- Large durable stainless steel ash pan – Less cleaning, longer lasting.
- Fully adjustable legs or log box – Installer friendly.
- Merlin stoves are Approved Stoves and can be installed on a 12mm superimposed hearth – Installer friendly.
- Baffle plate can be removed without disturbing the firebricks – chimney sweep friendly.
- Main body carries a full lifetime guarantee. All other parts are replaceable or fully serviceable.

Upon request

- Boilers for hot water and central heating.
- Wide selection of colours including Honey-Glo Brown, Shimmering Rose and Almond.
- Door handle and knobs available to match body colour or in Chrome or Brass.
- Log Box.
- Additional options and accessories on request.

Specifications

Model
Classic

Width
640mm

Height
698mm (with moulded legs)
908mm (with moulded log box)

Depth
385mm

Flue Spigot
150mm diameter, top or rear exit

Heat Output
Up to 12kW (8kW nominal)

Merlin Stoves Ltd, Foregates, Holmer,
Hereford HR4 9RJ, England
T: 01432 360016 F: 01432 360016
E: sales@merlinstoves.co.uk
W: www.merlinstoves.co.uk

Distributed by Fire Product Distribution
T: 0845 226 0576 F: 0845 519 9358
E: sales@fireproductdistribution.com

Your Merlin Stove Dealer:

merlin

STANDARD

standard



We have designed the Merlin Standard not just for looks. Robust and durable, yet simple and elegant in appearance, this powerful stove - built with all the latest technology, delivers heat in minutes after lighting. The large stay-clear glass window and high tech fire box allows you to stack the wood inside providing you with hours of free time to relax and enjoy the fire.


Forestry Commission
Merlin Stoves
is an approved supplier to
the Forestry Commission


British Designed
and Manufactured

Merlin Stoves are different in every sense, not only in performance and efficiency but also in stylish good looks.

Contemporary or traditional, Merlin Stoves are noticeably different. There is one single door to clearly see more. It is a dust free clean design, without fussy details.

All our stoves are built with Merlin's patent pending **Rapid Air Movement** technology. Unlike other stoves, heat is delivered to the room in seconds after

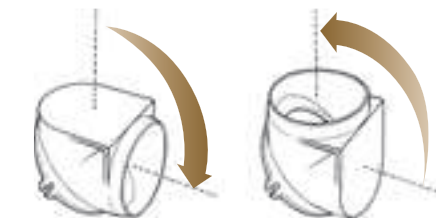
lighting. Straightforward controls mean regulating and maintaining the desired temperature is simple.

The stove's twin-skinned insulated jacket ensures heat is accumulated and maintained within the stove body for hours after shutdown.

The Merlin range of multifuel stoves is revolutionary in all respects, and brings a whole new way of thinking when it comes down to natural conventional heating!

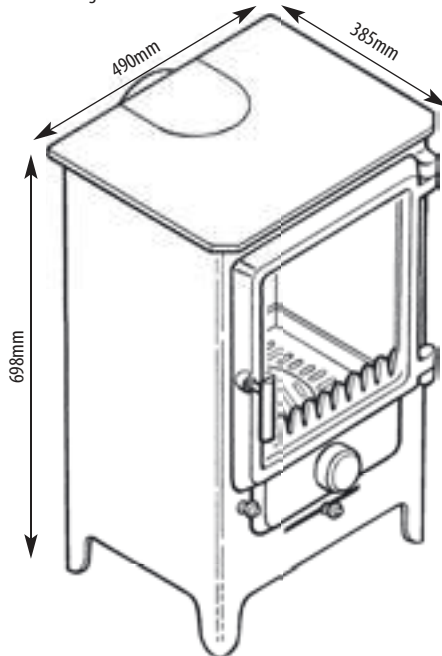
Advanced Technology *kept simple*

merlin STANDARD

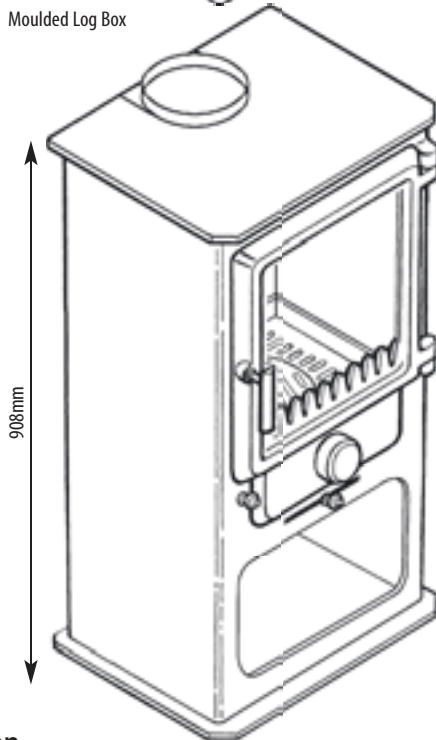


SWIVEL FLUE- One piece component (150mm diameter)

Moulded Legs



Moulded Log Box



Merlin Stoves Ltd has a policy of continuous product improvement and reserves the right to change design and specifications without notice.

Features

- Multifuel capability – Burns both coal and wood.
- Clean cut British design – No dust traps.
- Optimum performance, up to 80% efficiency – Environmentally friendly.
- Patented (p) airflow system, ultra clean combustion and clear glass – Unique design.
- Large firebox capacity – Extended burn time capability.
- Fast effective high/low temperature control – User friendly.
- One piece swivel flue component for top or rear exit – Installer friendly.
- Dual chamber construction – Retains the heat for longer.
- Large durable stainless steel ash pan – Less cleaning, longer lasting.
- Fully adjustable legs or log box – Installer friendly.
- Merlin stoves are Approved Stoves and can be installed on a 12mm superimposed hearth – Installer friendly.
- Baffle plate can be removed without disturbing the firebricks – chimney sweep friendly.
- Main body carries a full lifetime guarantee. All other parts are replaceable or fully serviceable.

Upon request

- Boilers for hot water and central heating.
- Wide selection of colours including Honey-Glo Brown, Shimmering Rose and Almond.
- Door handle and knobs available to match body colour or in Chrome or Brass.
- Log Box.
- Additional options and accessories on request.

Specifications

Model
Standard

Width
490mm

Height
698mm (with moulded legs)
908mm (with moulded log box)

Depth
385mm

Flue Spigot
150mm diameter, top or rear exit

Heat Output
Up to 10kW (8kW nominal tested)

Merlin Stoves Ltd, Foregates, Holmer,
Hereford HR4 9RJ, England

T: 01432 360016 F: 01432 360016

E: sales@merlinstoves.co.uk

W: www.merlinstoves.co.uk

Distributed by Fire Product Distribution

T: 0845 226 0576 F: 0845 519 9358

E: sales@fireproductdistribution.com

Your Merlin Stove Dealer:

merlin

MIDLINE



The Merlin Midline is built to perform. 12 inch logs are no problem with plenty of depth in its spacious firebox, hours can be spent relaxing and enjoying the unobstructed view of the natural fire before refueling is needed. Sophisticated yet simple. Extended burn time capability and clean consumption, past inspirations here today.



The Merlin Midline is
DEFRA Approved
for use in smokeless zones



Forestry Commission

Merlin Stoves
is an approved supplier to
the Forestry Commission



**British Designed
and Manufactured**

Merlin Stoves are different in every sense, not only in performance and efficiency but also in stylish good looks.

Contemporary or traditional, Merlin Stoves are noticeably different. There is one single door to clearly see more. It is a dust free clean design, without fussy details.

All our stoves are built with Merlin's patent pending **Rapid Air Movement** technology. Unlike other stoves, heat is delivered to the room in seconds after

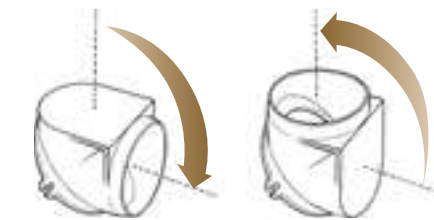
lighting. Straightforward controls mean regulating and maintaining the desired temperature is simple.

The stove's twin-skinned insulated jacket ensures heat is accumulated and maintained within the stove body for hours after shutdown.

The Merlin range of multifuel stoves is revolutionary in all respects, and brings a whole new way of thinking when it comes down to natural conventional heating!

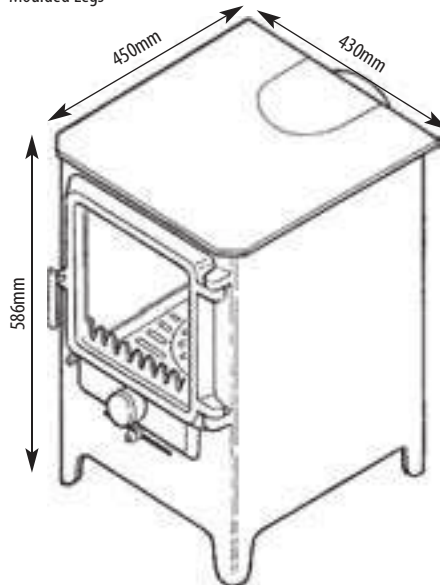
Advanced Technology *kept simple*

merlin MIDLINE

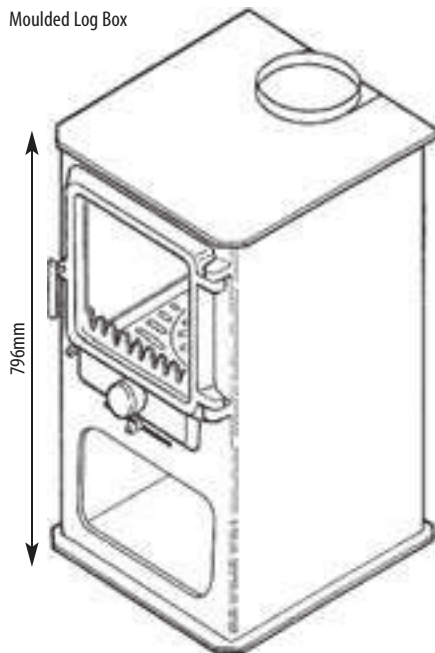


SWIVEL FLUE- One piece component (150mm diameter)

Moulded Legs



Moulded Log Box



Features

- Multifuel capability – Burns both coal and wood.
- Clean cut British design – No dust traps.
- Optimum performance, up to 80% efficiency – Environmentally friendly.
- Patented (p) airflow system, ultra clean combustion and clear glass – Unique design.
- Large firebox capacity – Extended burn time capability.
- Fast effective high/low temperature control – User friendly.
- One piece swivel flue component for top or rear exit – Installer friendly.
- Dual chamber construction – Retains the heat for longer.
- Large durable stainless steel ash pan – Less cleaning, longer lasting.
- Fully adjustable legs or log box – Installer friendly.
- Merlin stoves are Approved Stoves and can be installed on a 12mm superimposed hearth – Installer friendly.
- Baffle plate can be removed without disturbing the firebricks – chimney sweep friendly.
- Main body carries a full lifetime guarantee. All other parts are replaceable or fully serviceable.

Upon request

- Boilers for hot water and central heating.
- Wide selection of colours including *Honey-Glo Brown*, *Shimmering Rose* and *Almond*.
- Door handle and knobs available to match body colour or in *Chrome* or *Brass*.
- Log Box.
- Additional options and accessories on request.

Specifications

Model
Midline

Width
430mm

Height
586mm (with moulded legs)
796mm (with moulded log box)

Depth
450mm

Flue Spigot
150mm diameter, top or rear exit

Heat Output
Up to 8kW (4.8kW nominal tested)
No air brick required

Merlin Stoves Ltd, Foregates, Holmer,
Hereford HR4 9RJ, England

T: 01432 360016 F: 01432 360016

E: sales@merlinstoves.co.uk

W: www.merlinstoves.co.uk

Distributed by Fire Product Distribution

T: 0845 226 0576 F: 0845 519 9358

E: sales@fireproductdistribution.com

Your Merlin Stove Dealer:

Merlin Stoves Ltd has a policy of continuous product improvement and reserves the right to change design and specifications without notice.

merlin

SLIMLINE PLUS



The Slimline plus+ slots nicely between the Slimline and the Midline. Whilst sharing the same height, the new Merlin Slimline plus has extra width and can be refuelled with standard sized logs as well as being able to burn approved smokeless fuels. It can be that final puzzle piece to a warm, cosy home.


Forestry Commission
Merlin Stoves
is an approved supplier to
the Forestry Commission


British Designed
and Manufactured

Merlin Stoves are different in every sense, not only in performance and efficiency but also in stylish good looks.

Contemporary or traditional, Merlin Stoves are noticeably different. There is one single door to clearly see more. It is a dust free clean design, without fussy details.

All our stoves are built with Merlin's patent pending **Rapid Air Movement** technology. Unlike other stoves, heat is delivered to the room in seconds after

lighting. Straightforward controls mean regulating and maintaining the desired temperature is simple.

The stove's twin-skinned insulated jacket ensures heat is accumulated and maintained within the stove body for hours after shutdown.

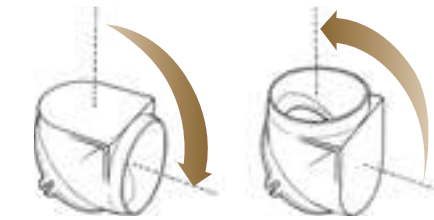
The Merlin range of multifuel stoves is revolutionary in all respects, and brings a whole new way of thinking when it comes down to natural conventional heating!

Advanced Technology *kept simple*

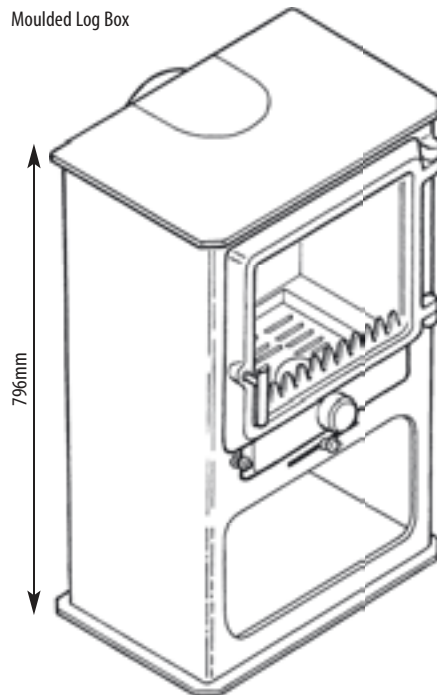
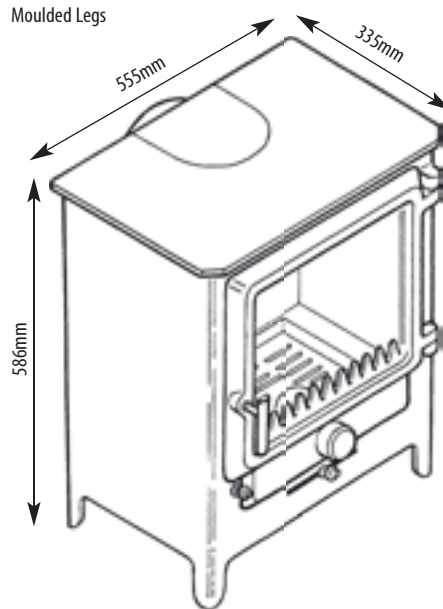
slimline plus

merlin

SLIMLINE PLUS



SWIVEL FLUE- One piece component (150mm diameter)



Merlin Stoves Ltd has a policy of continuous product improvement and reserves the right to change design and specifications without notice.

Features

- Multifuel capability – Burns both coal and wood.
- Clean cut British design – No dust traps.
- Optimum performance, up to 80% efficiency – Environmentally friendly.
- Patented (p) airflow system, ultra clean combustion and clear glass – Unique design.
- Large firebox capacity – Extended burn time capability.
- Fast effective high/low temperature control – User friendly.
- One piece swivel flue component for top or rear exit – Installer friendly.
- Dual chamber construction – Retains the heat for longer.
- Large durable stainless steel ash pan – Less cleaning, longer lasting.
- Fully adjustable legs or log box – Installer friendly.
- Merlin stoves are Approved Stoves and can be installed on a 12mm superimposed hearth – Installer friendly.
- Baffle plate can be removed without disturbing the firebricks – chimney sweep friendly.
- Main body carries a full lifetime guarantee. All other parts are replaceable or fully serviceable.

Upon request

- Boilers for hot water and central heating.
- Wide selection of colours including *Honey-Glo Brown*, *Shimmering Rose* and *Almond*.
- Door handle and knobs available to match body colour or in *Chrome* or *Brass*.
- Log Box.
- Additional options and accessories on request.

Specifications

Model
Slimline Plus

Width
555mm

Height
586mm (with moulded legs)
796mm (with moulded log box)

Depth
335mm

Flue Spigot
150mm diameter, top or rear exit

Heat Output
Up to 7kW (4.5kW nominal tested)
No air brick required

Merlin Stoves Ltd, Foregates, Holmer,
Hereford HR4 9RJ, England
T: 01432 360016 F: 01432 360016
E: sales@merlinstoves.co.uk
W: www.merlinstoves.co.uk

Distributed by Fire Product Distribution
T: 0845 226 0576 F: 0845 519 9358
E: sales@fireproductdistribution.com

Your Merlin Stove Dealer:

merlin

SLIMLINE



The Merlin Slimline, our smallest stove, has plenty to offer. Compact and functional with our trademark large unobstructed glass front, this stove offers intelligent heat with all the characteristics of design and concept that define the Merlin range of multifuel stoves.



The Merlin Slimline is
DEFRA Approved
for use in smokeless zones



Merlin Stoves
is an approved supplier to
the Forestry Commission



**British Designed
and Manufactured**

Merlin Stoves are different in every sense, not only in performance and efficiency but also in stylish good looks.

Contemporary or traditional, Merlin Stoves are noticeably different. There is one single door to clearly see more. It is a dust free clean design, without fussy details.

All our stoves are built with Merlin's patent pending **Rapid Air Movement** technology. Unlike other stoves, heat is delivered to the room in seconds after

lighting. Straightforward controls mean regulating and maintaining the desired temperature is simple.

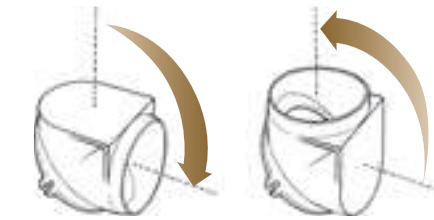
The stove's twin-skinned insulated jacket ensures heat is accumulated and maintained within the stove body for hours after shutdown.

The Merlin range of multifuel stoves is revolutionary in all respects, and brings a whole new way of thinking when it comes down to natural conventional heating!

Advanced Technology *kept simple*

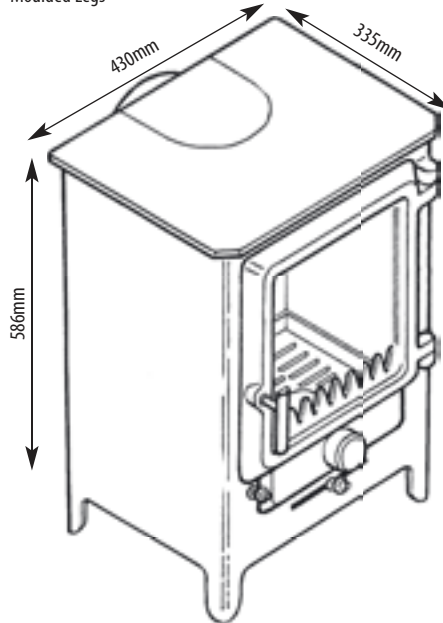
merlin
slimline

merlin SLIMLINE

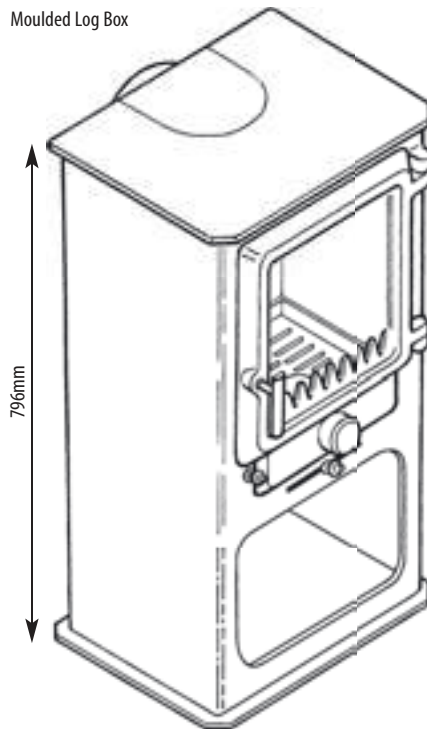


SWIVEL FLUE- One piece component (150mm diameter)

Moulded Legs



Moulded Log Box



Merlin Stoves Ltd has a policy of continuous product improvement and reserves the right to change design and specifications without notice.

Features

- Multifuel capability – Burns both coal and wood.
- Clean cut British design – No dust traps.
- Optimum performance, up to 80% efficiency – Environmentally friendly.
- Patented (p) airflow system, ultra clean combustion and clear glass – Unique design.
- Large firebox capacity – Extended burn time capability.
- Fast effective high/low temperature control – User friendly.
- One piece swivel flue component for top or rear exit – Installer friendly.
- Dual chamber construction – Retains the heat for longer.
- Large durable stainless steel ash pan – Less cleaning, longer lasting.
- Fully adjustable legs or log box – Installer friendly.
- Merlin stoves are Approved Stoves and can be installed on a 12mm superimposed hearth – Installer friendly.
- Baffle plate can be removed without disturbing the firebricks – chimney sweep friendly.
- Main body carries a full lifetime guarantee. All other parts are replaceable or fully serviceable.

Upon request

- Boilers for hot water and central heating.
- Wide selection of colours including Honey-Glo Brown, Shimmering Rose and Almond.
- Door handle and knobs available to match body colour or in Chrome or Brass.
- Log Box.
- Additional options and accessories on request.

Specifications

Model
Slimline

Width
430mm

Height
586mm (with moulded legs)
796mm (with moulded log box)

Depth
335mm

Flue Spigot
150mm diameter, top or rear exit

Heat Output
Up to 6kW (4kW nominal tested)
No air brick required

Merlin Stoves Ltd, Foregates, Holmer,
Hereford HR4 9RJ, England
T: 01432 360016 F: 01432 360016
E: sales@merlinstoves.co.uk
W: www.merlinstoves.co.uk

Distributed by Fire Product Distribution
T: 0845 226 0576 F: 0845 519 9358
E: sales@fireproductdistribution.com

Your Merlin Stove Dealer:



Merlin trademark
Single component flue outlet for top or rear exit, better by design.



The Merlin Stove is
far from average



Merlin Midline with
moulded log box



Merlin Midline
with moulded feet

Features

- Multifuel capability – *Burns both coal and wood.*
- Clean cut British design – *No dust traps.*
- Optimum performance, up to 80% efficiency – *Environmentally friendly.*
- Patented (p) airflow system, ultra clean combustion and clear glass – *Unique design.*
- Large firebox capacity – *Extended burn time capability.*
- Fast effective high/low temperature control – *User friendly.*
- One piece swivel flue component for top or rear exit – *Installer friendly.*
- Dual chamber construction – *Retains the heat for longer.*
- Large durable stainless steel ash pan – *Less cleaning, longer lasting.*
- Fully adjustable legs or log box – *Installer friendly.*
- Merlin stoves are Approved Stoves and can be installed on a 12mm superimposed hearth – *Installer friendly.*
- Baffle plate can be removed without disturbing the firebricks – *chimney sweep friendly.*
- Main body carries a full lifetime guarantee. All other parts are replaceable or fully serviceable.

Upon request

- Boilers for hot water and central heating.
- Wide selection of colours including *Honey-Glo Brown, Shimmering Rose and Almond.*
- Door handle and knobs available to match body colour or in *Chrome or Brass.*
- Log Box.
- Additional options and accessories on request.

merlin

multi-fuel stoves



Customer Assurance

This exclusive range of stoves will only be available at selected retail outlets throughout the UK and Europe. Each retailer will be able to offer customers their full technical expertise in selecting the stove to suit each individual requirement, from the showroom right through to installation and commissioning the stove in the comfort of their own home.

Merlin Guarantee

Merlin stoves have a lifetime guarantee on the main body. See Features list inside.



**British Designed
and Manufactured**



Forestry Commission

Merlin Stoves is an approved supplier
to the Forestry Commission

Merlin Stoves Ltd, Foregates, Holmer, Hereford HR4 9RJ, England

T: 01432 360016 F: 01432 360016

E: sales@merlinstoves.co.uk W: www.merlinstoves.co.uk

Distributed by Fire Product Distribution

T: 0845 226 0576 F: 0845 519 9358

E: sales@fireproductdistribution.com

Your Merlin Stove Dealer: